

FLAT TRIM SUBMITTAL : DIMENSIONS

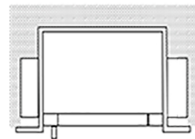
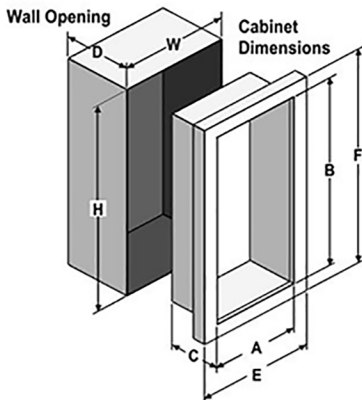
TRIM & DOOR SERIES #		Tub I.D.			Frame O.D.		Wall Opening		
Model	Trim Style	A	B	C	E	F	W	H	D
8135	Flat 3/8" Trim	9	18	5 1/2	12 3/8	21 3/8	11 5/16	20 5/16	6 7/16
1835	Flat 3/8" Trim	10 1/2	24	5 1/2	13 7/8	27 3/8	12 13/16	26 5/16	6 7/16
1035	Flat 3/8" Trim	10 1/2	24	6	13 7/8	27 3/8	12 13/16	26 5/16	6 15/16
2035	Flat 3/8" Trim	12	27	7 3/4	15 3/8	30 3/8	14 5/16	29 5/16	8 11/16
3035	Flat 3/8" Trim	16	32	7 3/4	19 3/8	35 3/8	18 5/16	34 5/16	8 11/16
4035	Flat 3/8" Trim	20	27	7 3/4	23 3/8	30 3/8	22 5/16	29 5/16	8 11/16

TRIMLESS SUBMITTAL : 5/8 DRYWALL OVER DIMENSIONS

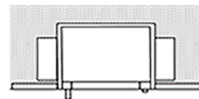
TRIM & DOOR SERIES #		Tub I.D.			Frame O.D.		Wall Opening		
Model	Trim Style	A	B	C	E	F	W	H	D
8134	Trimless	9	18	5 1/2	12 1/8	21 1/8	11 5/16	20 5/16	6 3/16
1034	Trimless	10 5/8	24	6	13 5/8	27 1/8	12 13/16	26 5/16	6 11/16
2034	Trimless	12	27	7 3/4	15 1/8	30 1/8	14 5/16	29 5/16	8 7/16

TRIMLESS SUBMITTAL : 3/4 PLASTER OVER DIMENSIONS

TRIM & DOOR SERIES #		Tub I.D.			Frame O.D.		Wall Opening		
Model	Trim Style	A	B	C	E	F	W	H	D
8134	Trimless	9	18	5 1/2	12 1/8	21 1/8	11 5/16	20 5/16	6 3/16
1034	Trimless	10 5/8	24	6	13 5/8	27 1/8	12 13/16	26 5/16	6 11/16
2034	Trimless	12	27	7 3/4	15 1/8	30 1/8	14 5/16	29 5/16	8 7/16



3/8" Flat Trim



**Trimless
Recessed Flange**